

7"ס"ד



SNAP SUKKAH
INSTRUCTION MANUAL

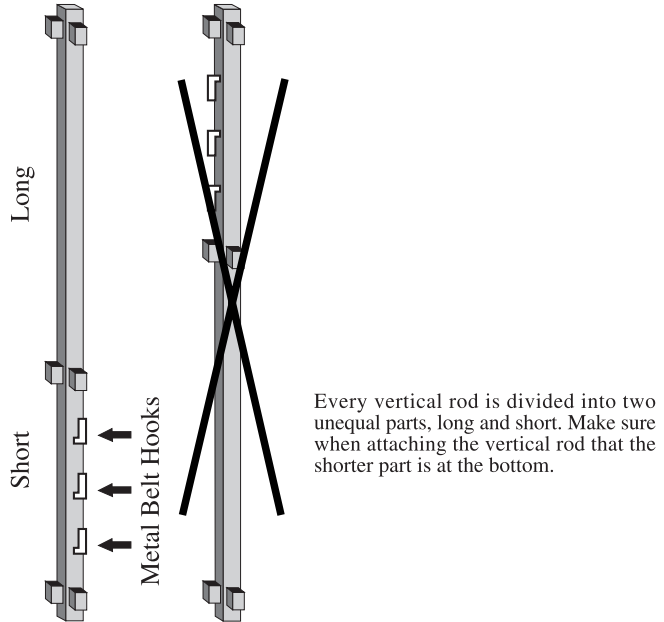
1.800.227.SUKA • WWW.SUKKAH.COM

GENERAL INSTRUCTIONS

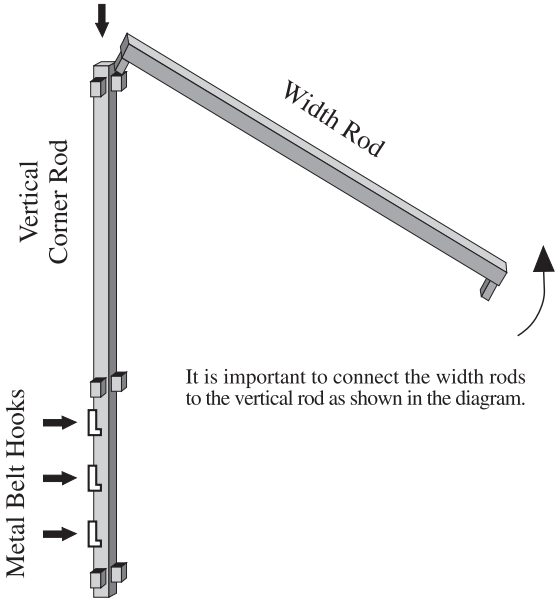
In this instruction booklet we recommend a method for constructing the Sukkah that we think is the easiest, fastest and most convenient. However, you can use any other method that achieves the desired result.

When planning placement of the Sukkah, please take into consideration that it is recommended to place the door on the right side of the long wall.

To avoid any damage to the metal frames, we recommend using a rubber mallet to connect the rods.



Every vertical rod is divided into two unequal parts, long and short. Make sure when attaching the vertical rod that the shorter part is at the bottom.

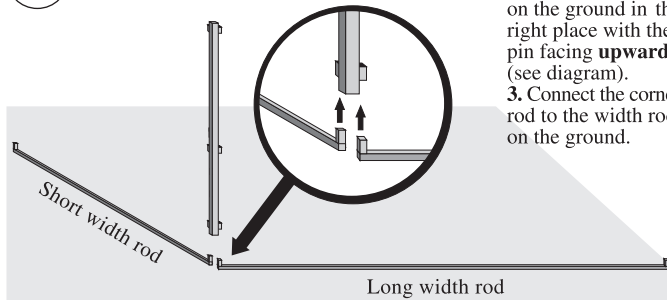


It is important to connect the width rods to the vertical rod as shown in the diagram.

SNAP SUKKAH 4'X6', 6'X8'

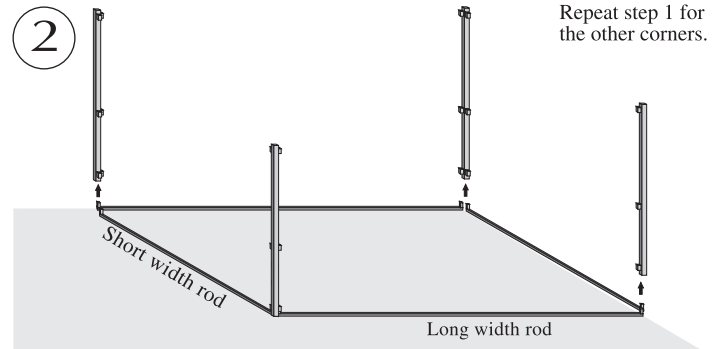
STEP 1: ASSEMBLY OF THE SUKKAH FRAME

1

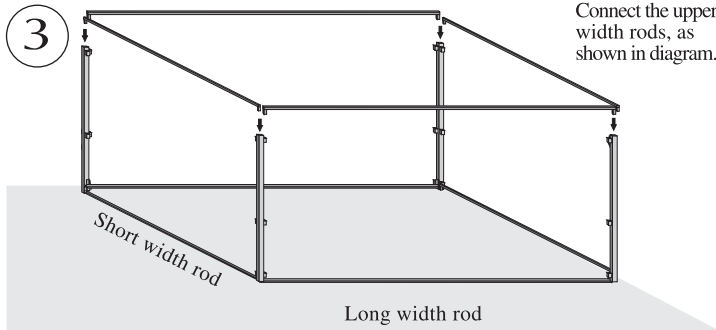


1. Start assembly at the corner.
2. Place the width rods on the ground in the right place with the pin facing **upwards** (see diagram).
3. Connect the corner rod to the width rod on the ground.

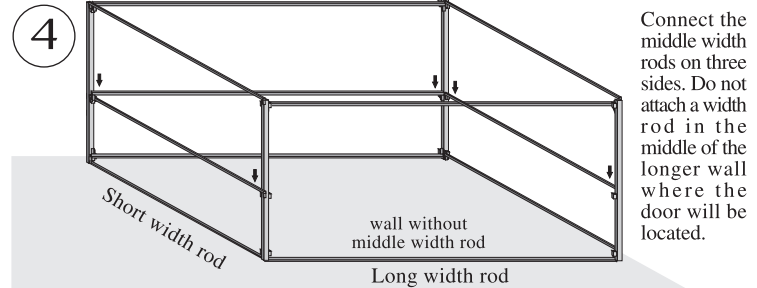
2



3



4

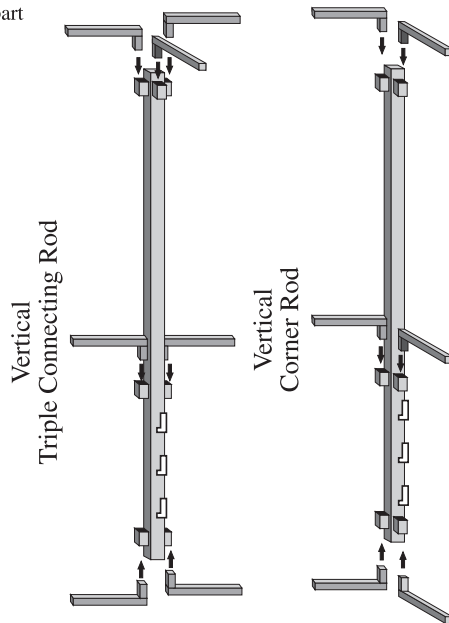
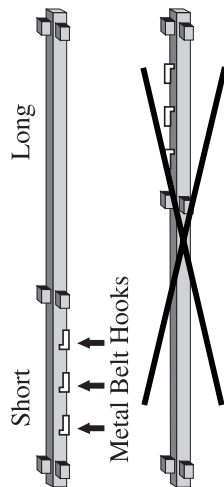


Congratulations, you have finished constructing the frame of the Sukkah. For instructions on attaching the fabric please refer to page 9.

SNAP SUKKAH 8'X10', 8'X12'

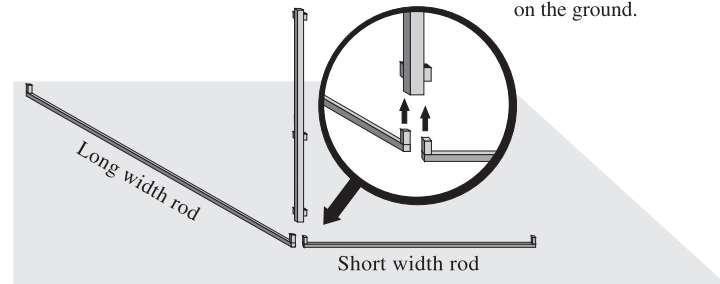
STEP 1: ASSEMBLY OF THE SUKKAH FRAME

Every vertical rod is divided into two unequal parts, long and short. Make sure when attaching the vertical rod that the shorter part is at the bottom.

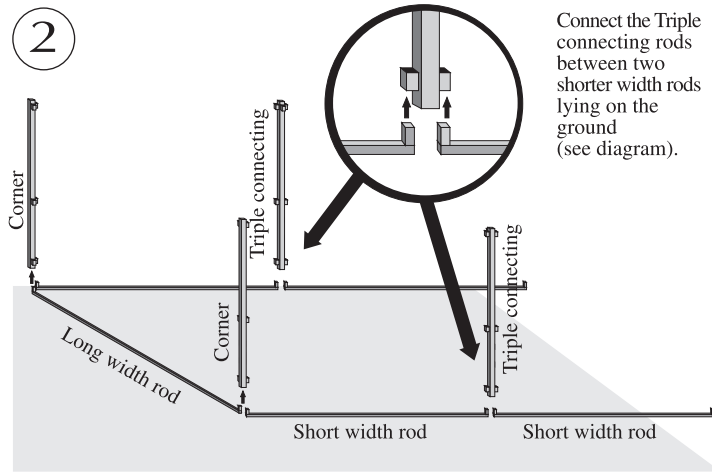


1

1. Start assembly at the corner.
2. Place the width rods on the ground in the right place with the pin facing **upwards** (see diagram).
3. Connect the corner rod to the width rod on the ground.

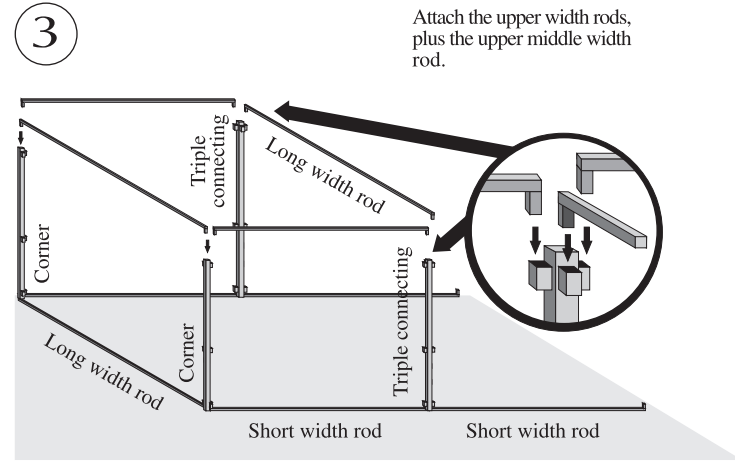


2



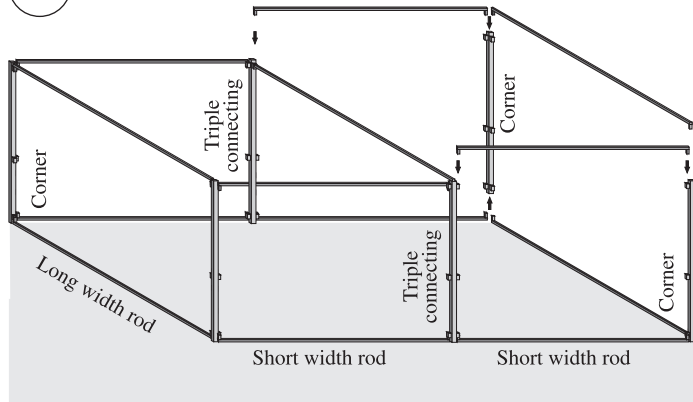
Connect the Triple connecting rods between two shorter width rods lying on the ground (see diagram).

3

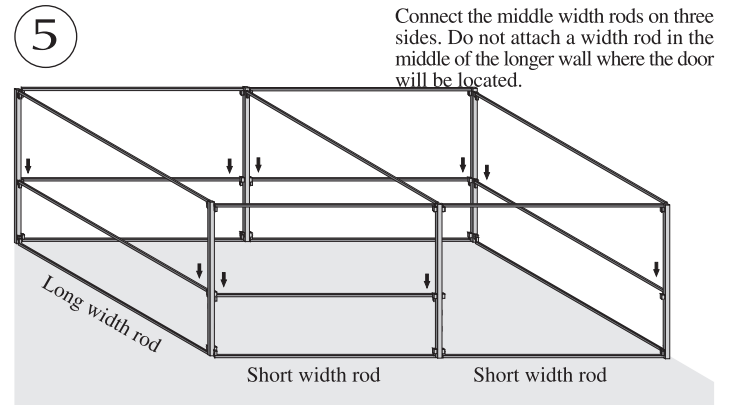


Attach the upper width rods, plus the upper middle width rod.

4



5



Connect the middle width rods on three sides. Do not attach a width rod in the middle of the longer wall where the door will be located.

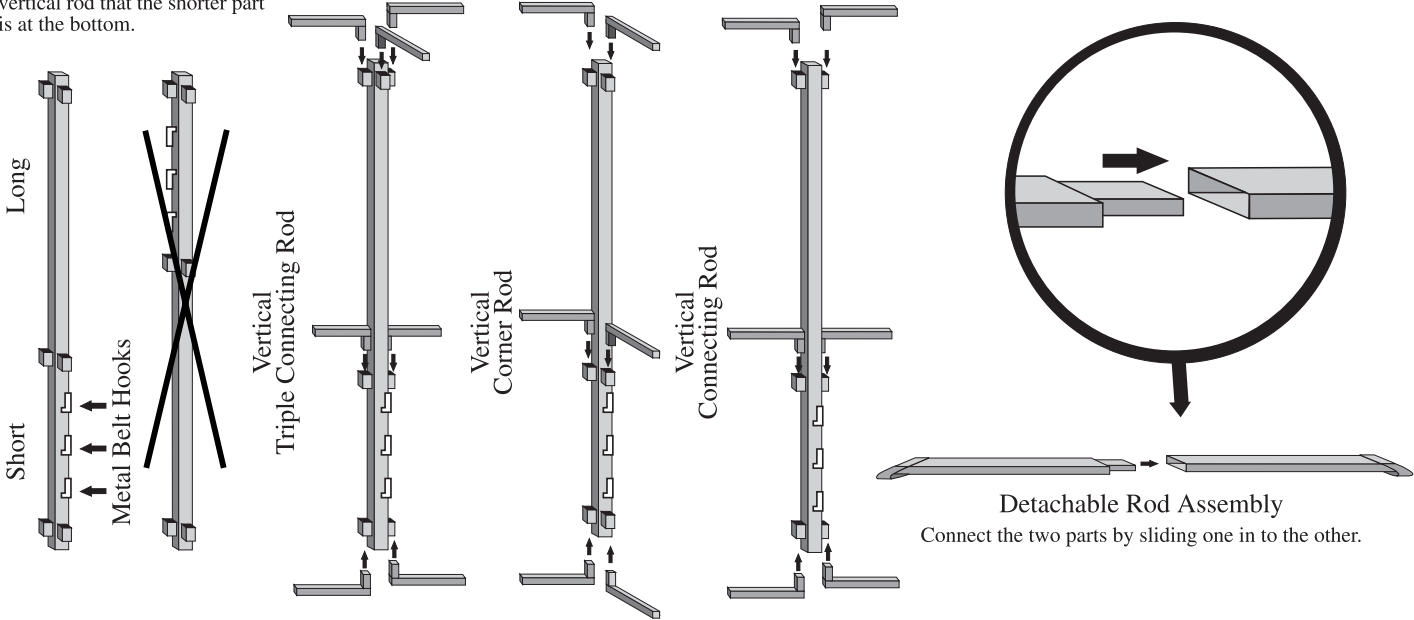
Congratulations, you have finished constructing the frame of the Sukkah. For instructions on attaching the fabric please refer to page 9.

SNAP SUKKAH

10'X12', 10'X16', 12'X20'

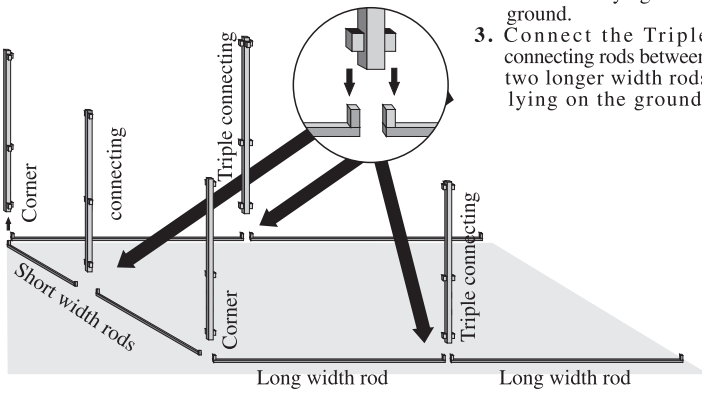
STEP 1: ASSEMBLY OF THE SUKKAH FRAME

Every vertical rod is divided into two unequal parts, long and short. Make sure when attaching the vertical rod that the shorter part is at the bottom.



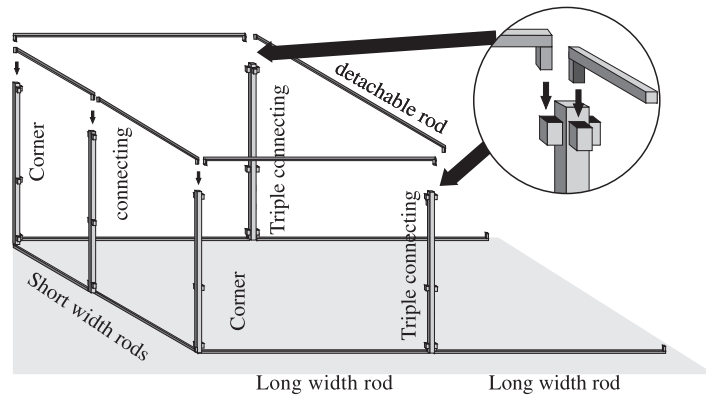
ASSEMBLY INSTRUCTIONS

1



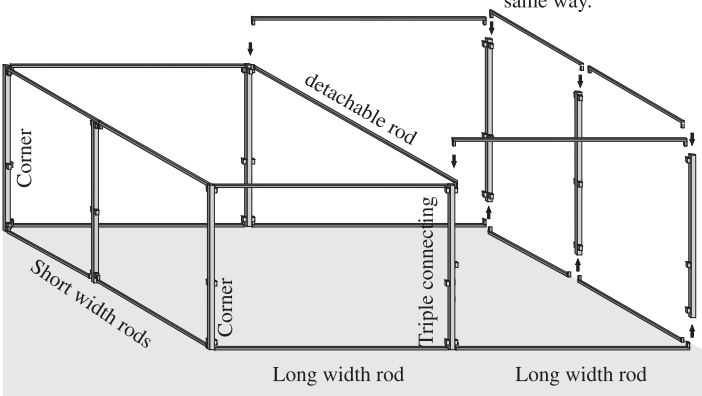
1. Connect any corner first.
2. Connect the connecting rods between two shorter width rods lying on the ground.
3. Connect the Triple connecting rods between two longer width rods lying on the ground.

2



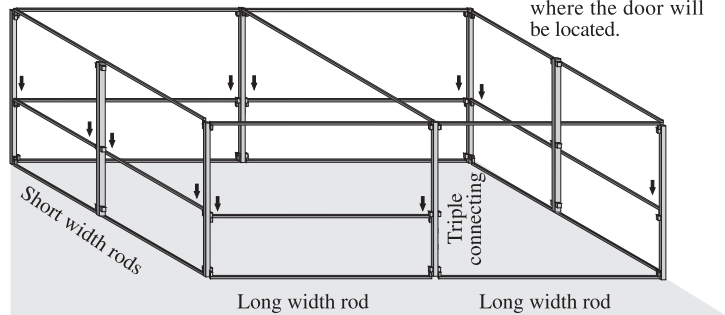
Attach the upper width rods.

3



Continue to attach all the Sukkah rods in the same way.

4

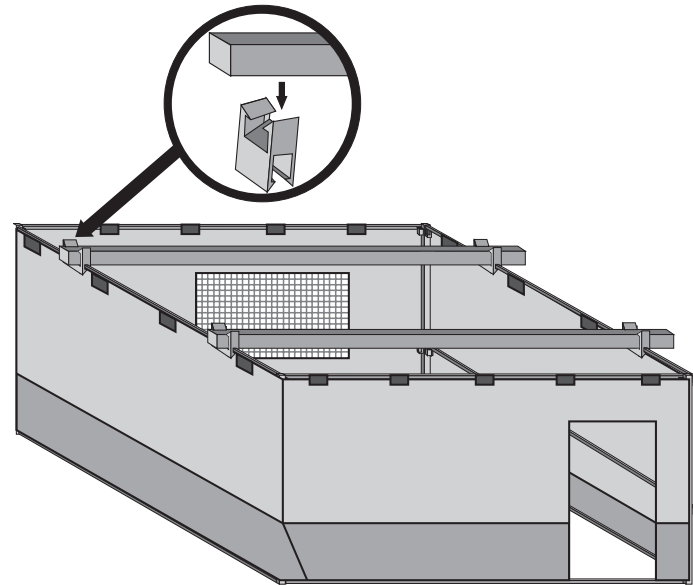


Connect the middle width rods on three sides. Do not attach a width rod in the middle of the longer wall where the door will be located.

Congratulations, you have finished constructing the frame of the Sukkah. For instructions on attaching the fabric please refer to page 9.

LAYING THE SCHACH

1. Please make sure to finish constructing the Sukkah before laying the Schach (obligatory according to the Halacha)
2. Laying bamboo stick to support the Schach is highly recommended. In order to stabilize the bambo stick use the black plastic holders.



ATTACHING MEHADRIN STRIP

1. Mehadrin Strip can be attached to three walls of the Sukkah using the Metal Belt Hooks on the Vertical Corner Rod as shown

