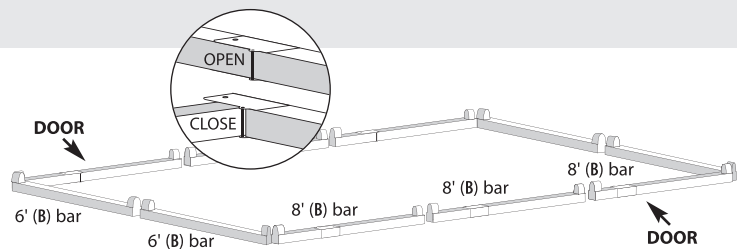
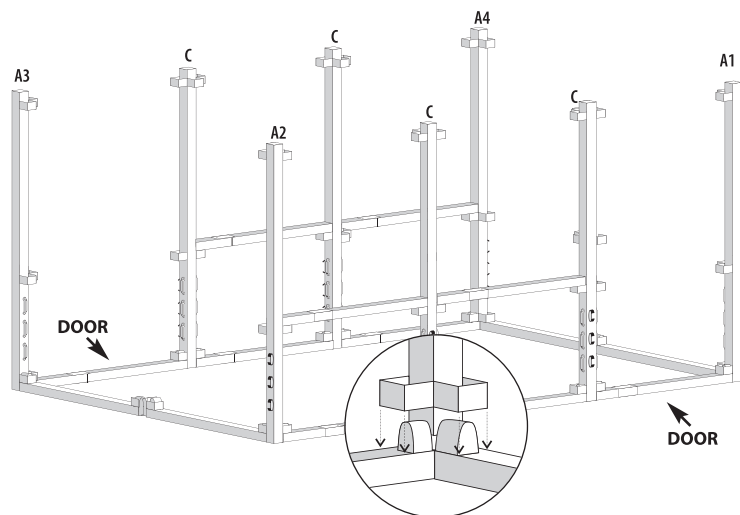




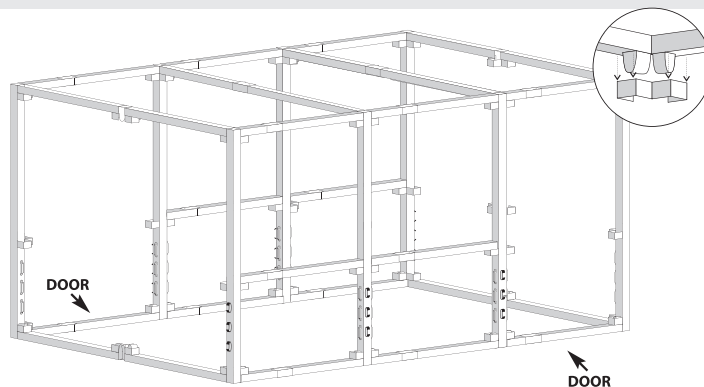
- 1** Lay out the base of your Sukkah using the **B** crossbars with the pin facing upwards. Lock folded **B** crossbars in the "open" position. Consider door position when setting the crossbars.



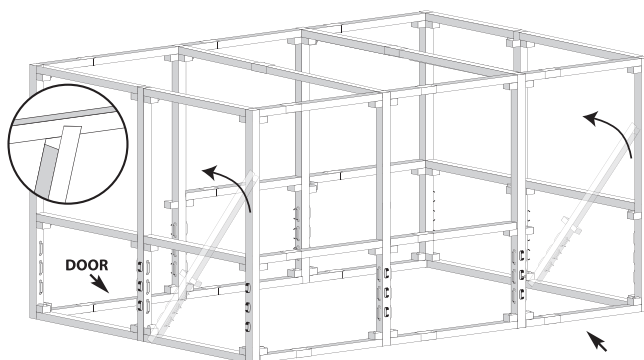
- 2** While facing the longer (door) side of the Sukkah looking in, Start with the corner on your right. Insert the **A1** upright bar onto the crossbar pins. Lift the corner and tap it lightly, making sure the fitting of the crossbars and upright bar connect tightly. The **A2** upright bar goes onto the corner to the left of the door. The **A3** & **A4** upright bars, go onto the back corners of the Sukkah. The **C** uprights go at the center.



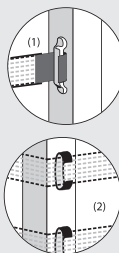
- 3** Place the middle **B** crossbars into the middle fittings of the **A** bars. Then place the top crossbars directly above them. Use the mallet to tap fittings together. NOTE: The door area does not get a middle crossbar.



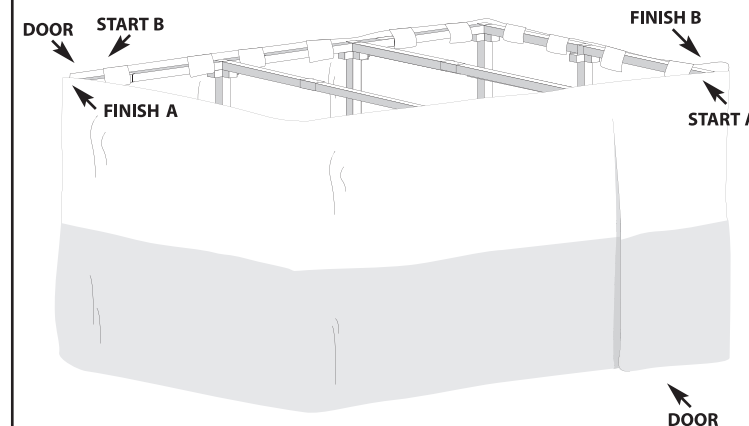
- 3A** **12' REINFORCEMENT KIT**
1. With reinforcement pole on an angle, insert the bottom U shaped connector into the bottom 12' B bar, and lock into place, by straightening pole and locking it in on the top B bar (see illustration).
 2. Insert the 2 6' B bars into place to secure the the upright. Repeat on the other side.



- 4** Each Sukkah has 3 mehadrin bands (2 sets) which go around 3 walls of the Sukkah. The door wall remains open. Starting with the **A1** upright to the right of the door, hook a band into the top loop (diagram 1), and continue counter clockwise around the Sukkah. Thread the bands through the guides on each upright, (diagram 2) ending with the back **D** upright. Fasten the band properly.* Continue with a second band, starting with the **D** upright of the back wall, ending at the front **A2** upright. Repeat for remaining bands.



- 5** Open the nylon and find the end with the door on it. The side with the screen faces the inside. The lighter color goes on top. Starting with the velcro above the door (Start A). Attach the Velcro over the top of the **B** crossbars, and continue around the Sukkah, till second door (Finish A). repeat with second nylon (from start B to Finish B). Tie the straps at the **A1** & **A3** corner uprights, and attach Velcro where the two ends meet. Attach all the middle & bottom Velcro.



- 6** Place bamboo sticks (not included) over the top crossbars using the brass clips. The bamboo sticks should be evenly spaced from each other and from the walls of the Sukkah.

**Necessary for the kashrus of the schach*

