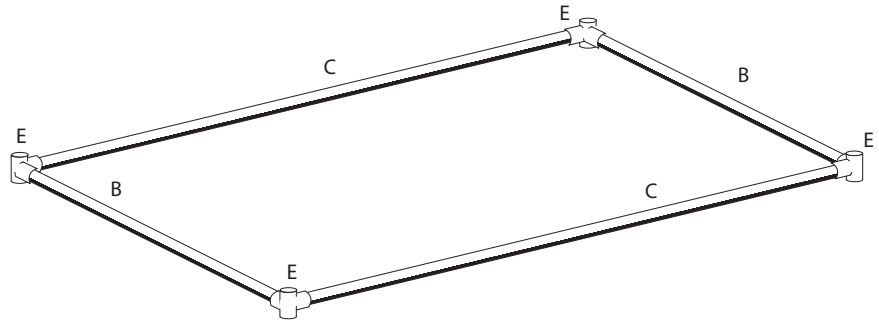
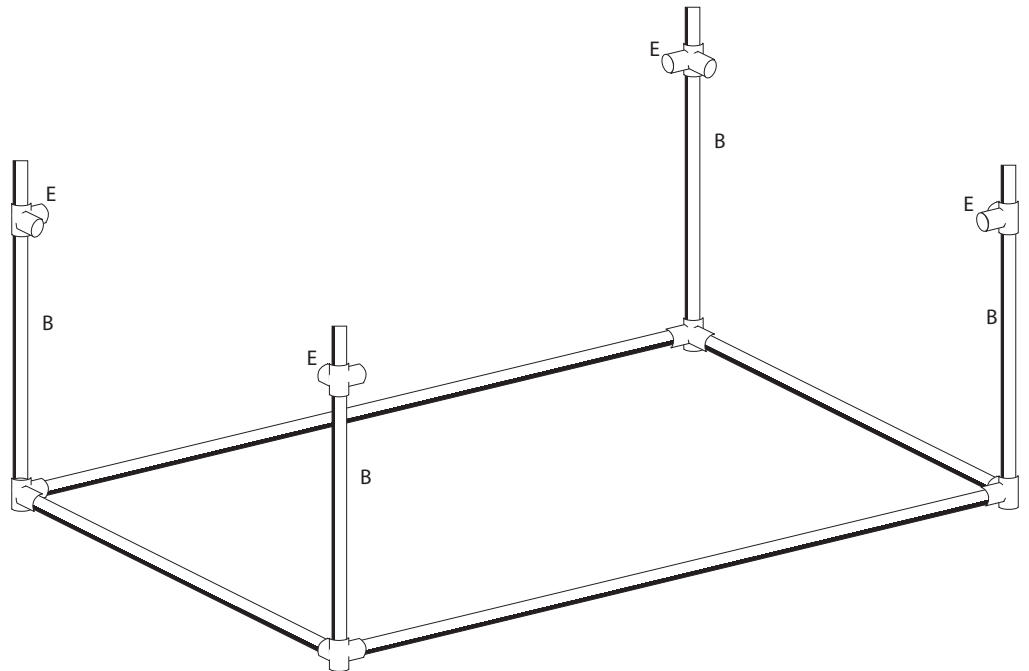


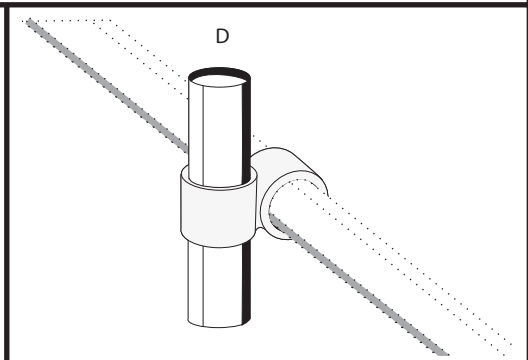
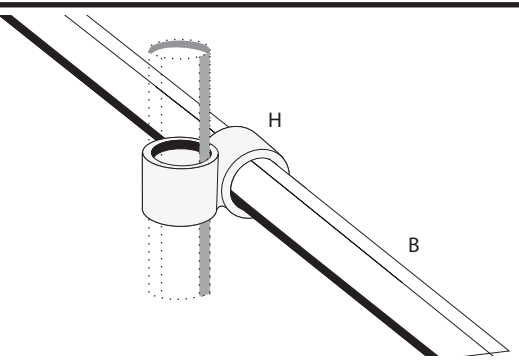
1 Lay out the poles & Fittings (screws facing up) in the shape of the Sukkah, Then insert poles into fittings, without blocking the hole for the upright, then tighten screws with the hex key till tight.



2 Insert uprights into fittings till flush with the floor, and then tighten screws.

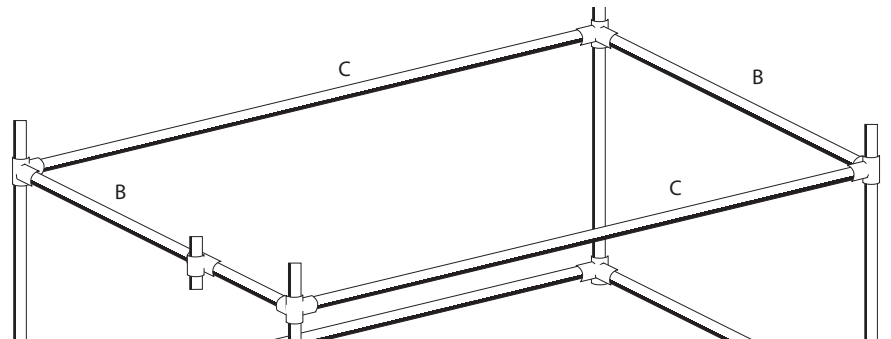


3 Attach top fitting about 1 1/2 inch down on the pole (fittings can be moved up or down to tighten or loosen canvas), and then tighten screw until tight.

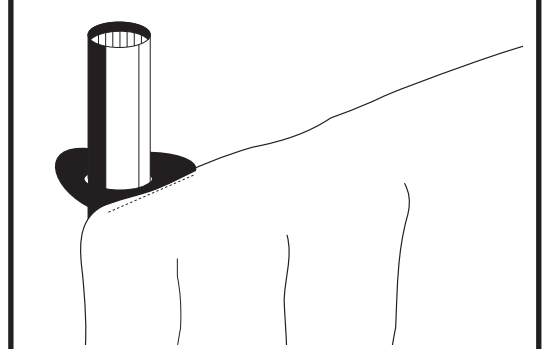
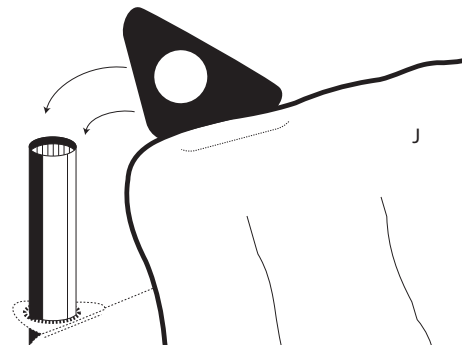


4 Insert the (D) pole through door fitting (H) and tighten, then insert the (B) pole through the Fitting (H) don't tighten before attaching canvas.

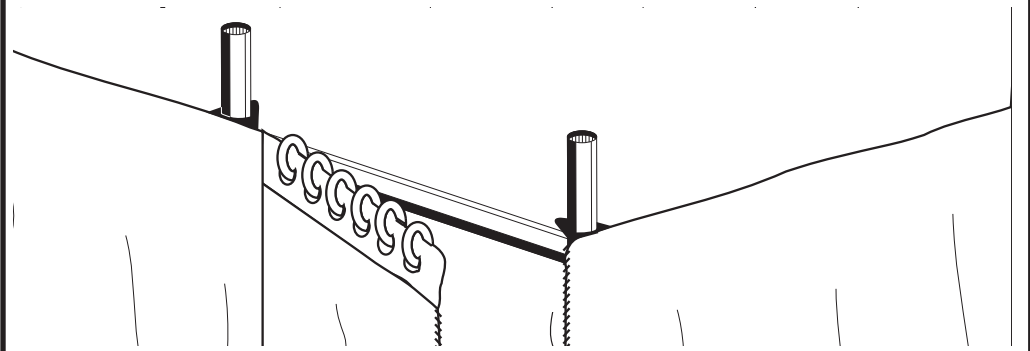
5 First insert the (B) poles into fittings and tighten, then insert the (C) poles into fittings, and tighten.



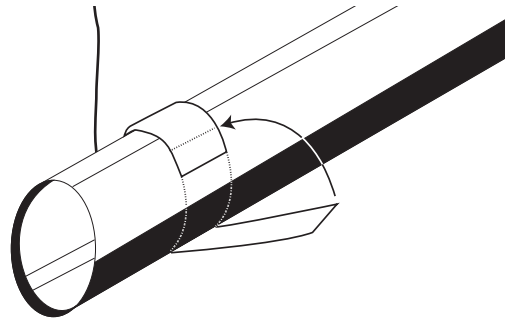
6 Unroll the canvas. On the top section (Lighter) there are gold grommets. Start with the corner of the canvas with the zipper, place the grommet over the pole, and push down till the fitting. Going counter clockwise towards the back wall of the Sukkah.



7 Continue round the Sukkah till reaching the door. Adjust the door fitting (H) to the correct position for the door and tighten, then place last grommet over pole. Attach the door hooks over pole then attach the hooks to the canvas through the small grommets then close the hooks.



8 Attach Velcro to top & bottom poles of Sukkah.



Note: Halacha requires that 2 pieces of wood be placed on top of Sukkah below the schach.

- B - (8) - (7'4") 88" poles.
- C - (4) - (9'3") 111" Poles.
- D - (1) - 6 Inch pole for door opening.
- E - (8) - Corner fittings.
- H - (1) - Cross fitting for door opening.
- I - (1) - Hex key.
- J - (1) - Canvas.

